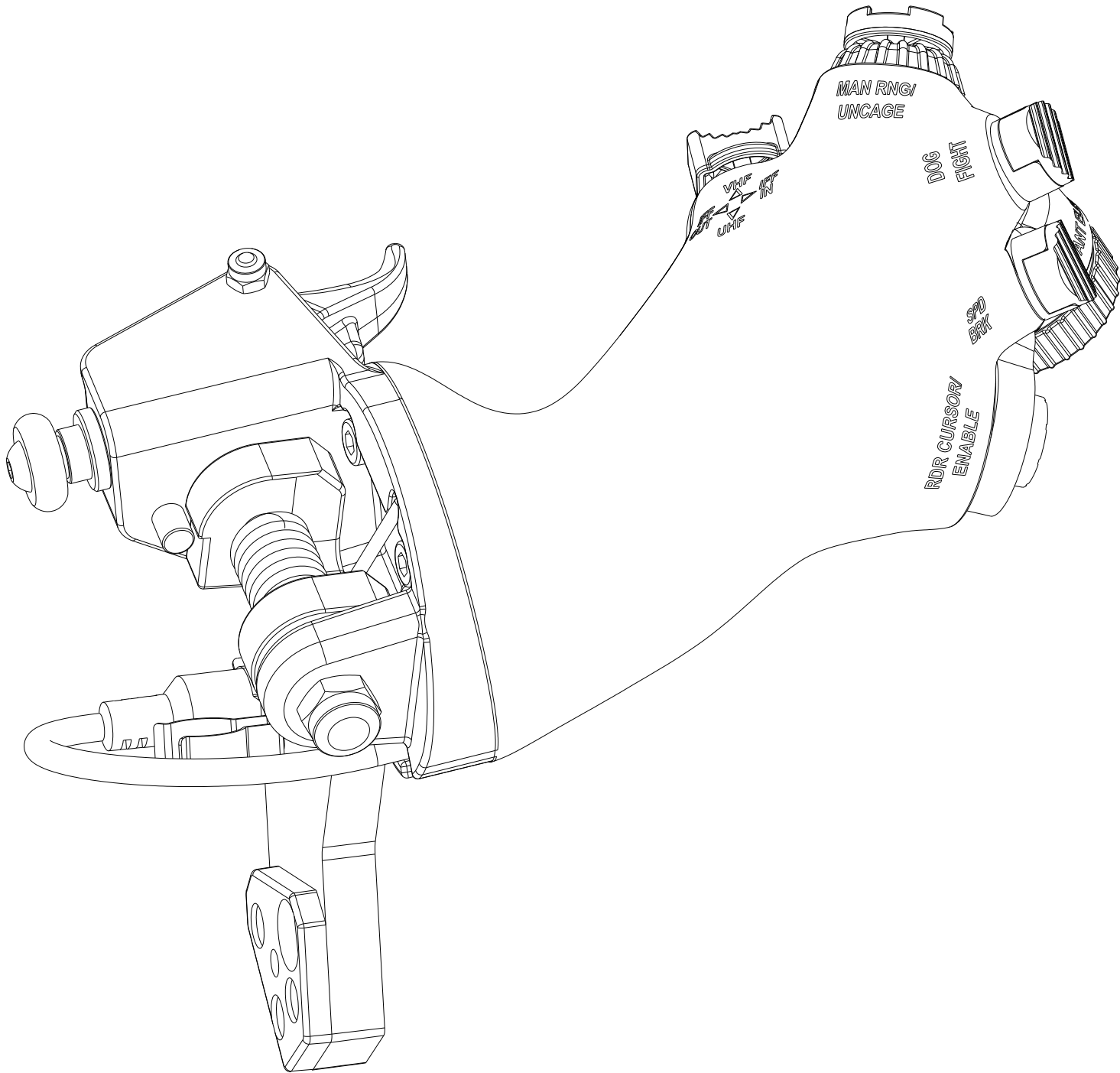


THROTTLE HANDLE OF F-16 H.O.T.A.S

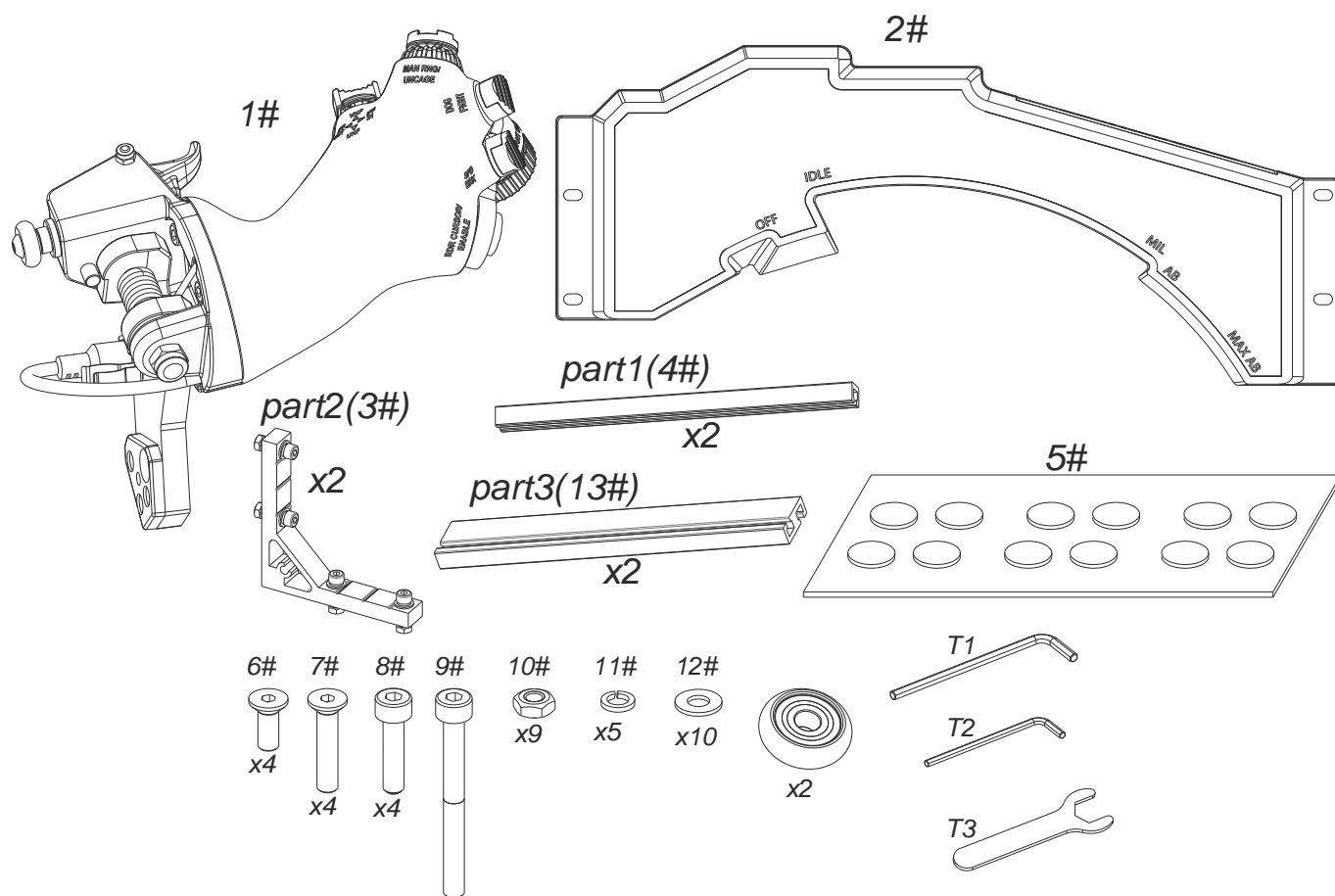
User Manual V2.0 2022.06



Content :

Content inside	1
1 Parameter.....	2
1.1 Performance	2
1.2 Compatibility.....	2
1.3 Size	3
2 Function.....	3
2.1 Button/Functions.....	3
2.2 Adjustment.....	4
3 Assembly.....	4
Change of bearing	4
4 Connection of the parts.....	4
5 Base connection.....	5
5.1 Throttle grip connection with T2 base.....	5
5.2 Slide Rail connection with T2 base and adjustment	8
5.3 Additional assembly method	13
6 Calibration.....	16
6.1 Mini-joystick calibration	16
6.2 Z axis calibration.....	17

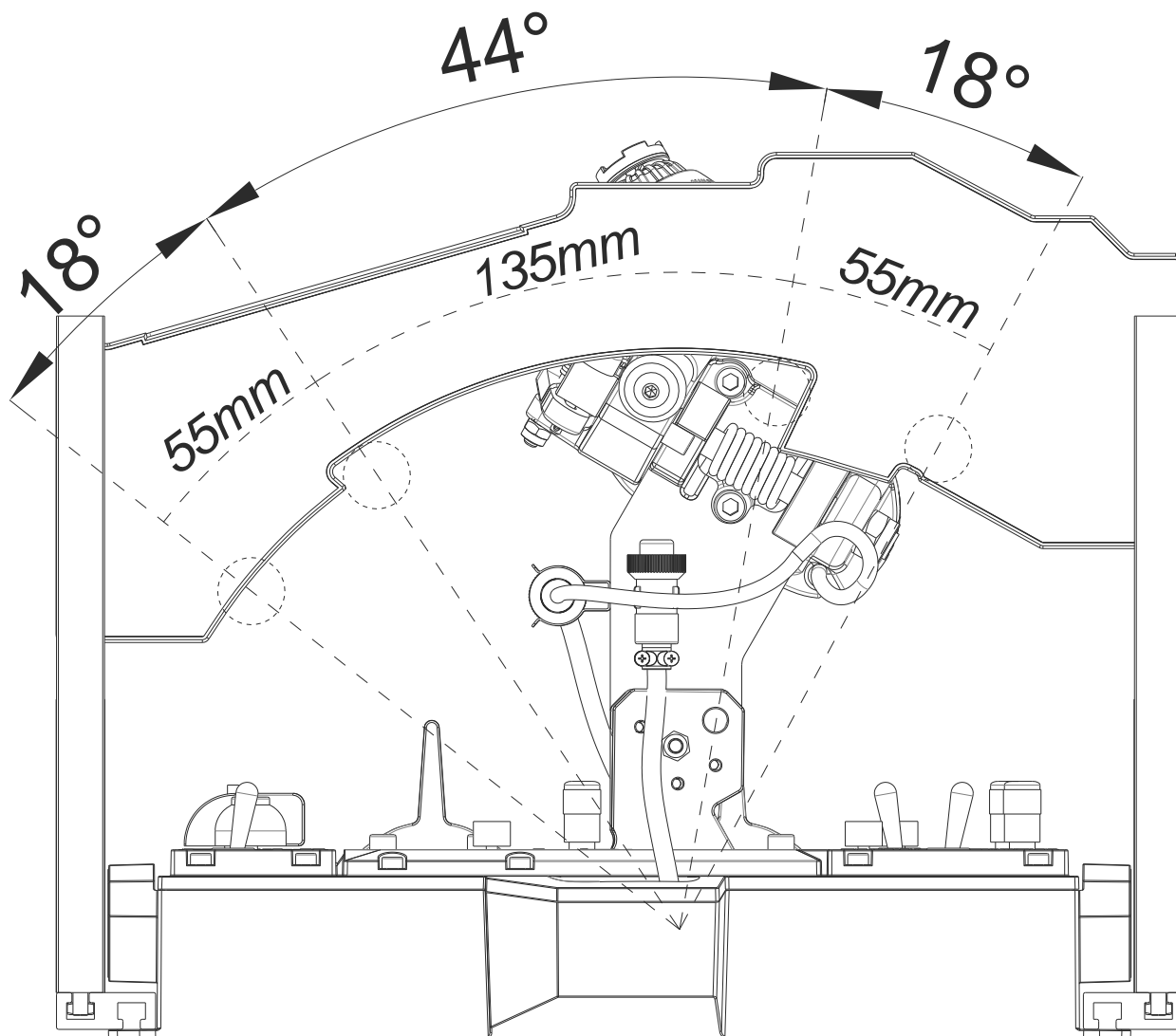
Content inside



①	F-16 Throttle (1#)	1
②	Slide rail (2#)	1
③	Rail assembly (3#、4#、13#)	1
④	accessory box	1
⑤	Tool bag	1
⑥	stick pad (5#)	1

1 Parameter

1.1 Performance



Total movement angle 80 (Idle to stop 18, normal thrust 44, afterburner 18)

1.2 Compatibility

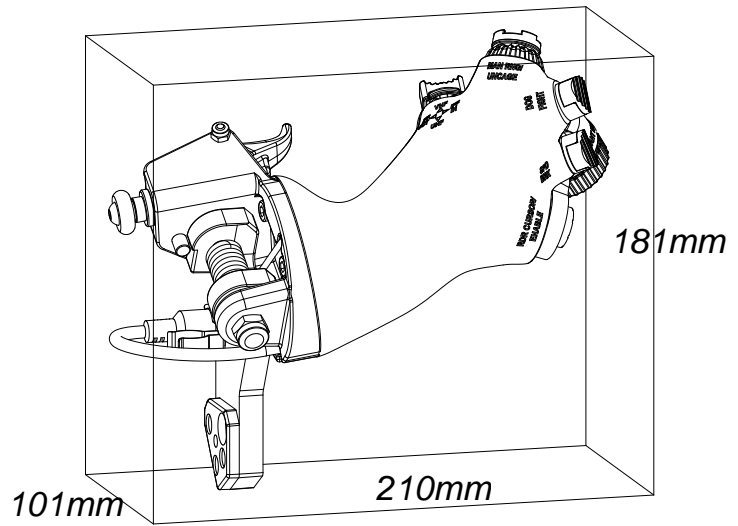
Attached to T2/T2-II (Orion) base.

1.3 Size

Long width and high

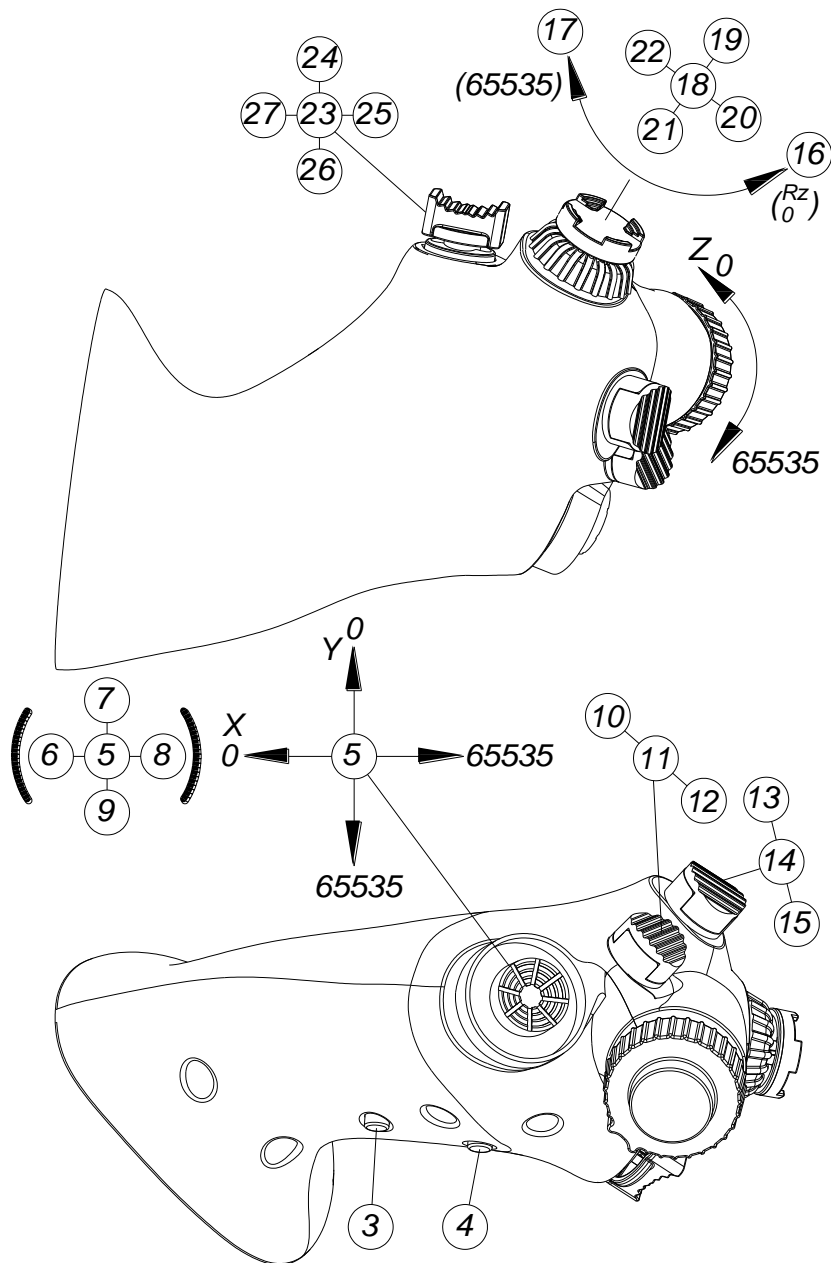
210mm*101mm*181mm ;

MASS=0.8Kg=1.77lb。



2 Function

2.1 Button/Functions

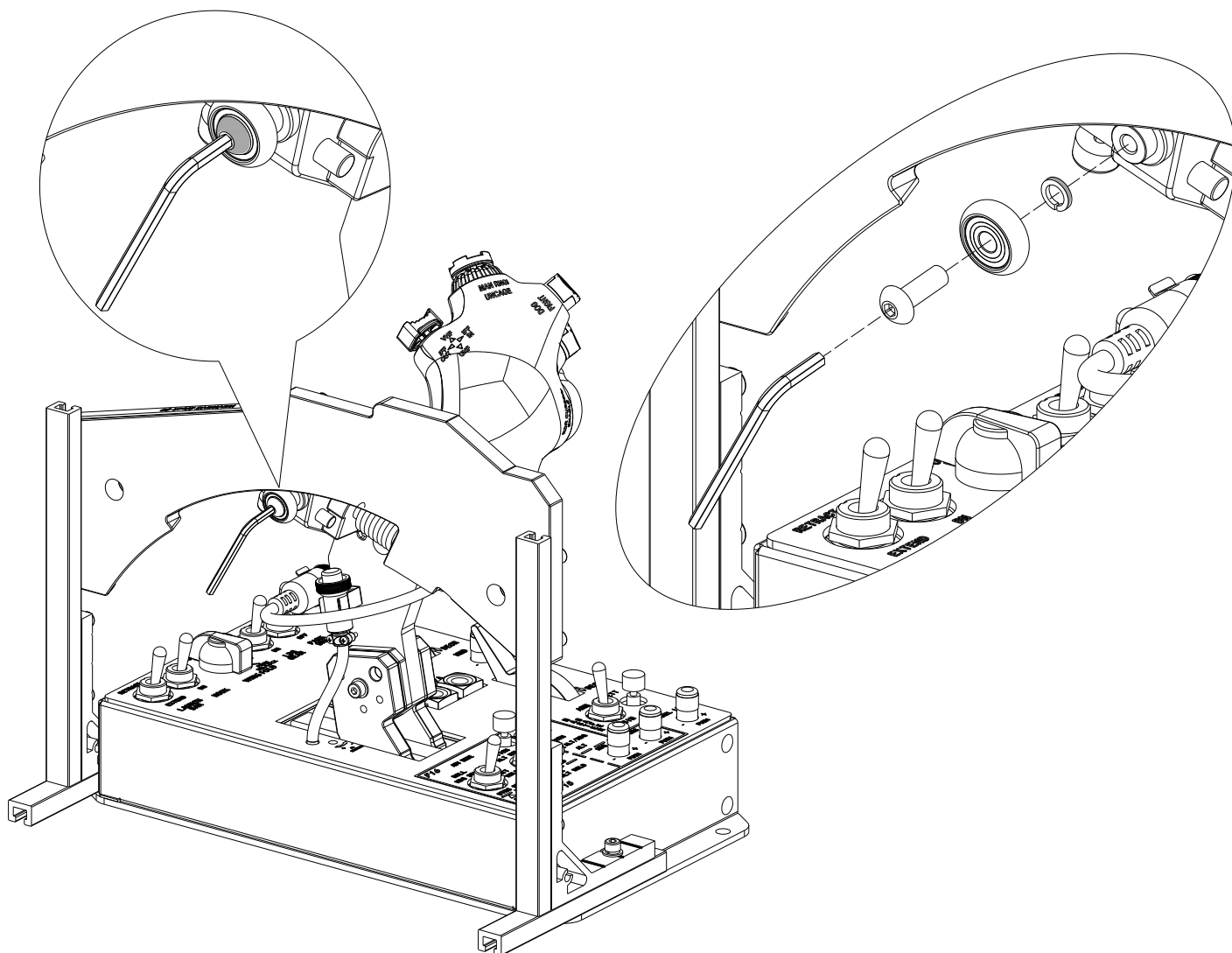


2.2 Adjustment

/

3 Parts assembly

Bearing exchange

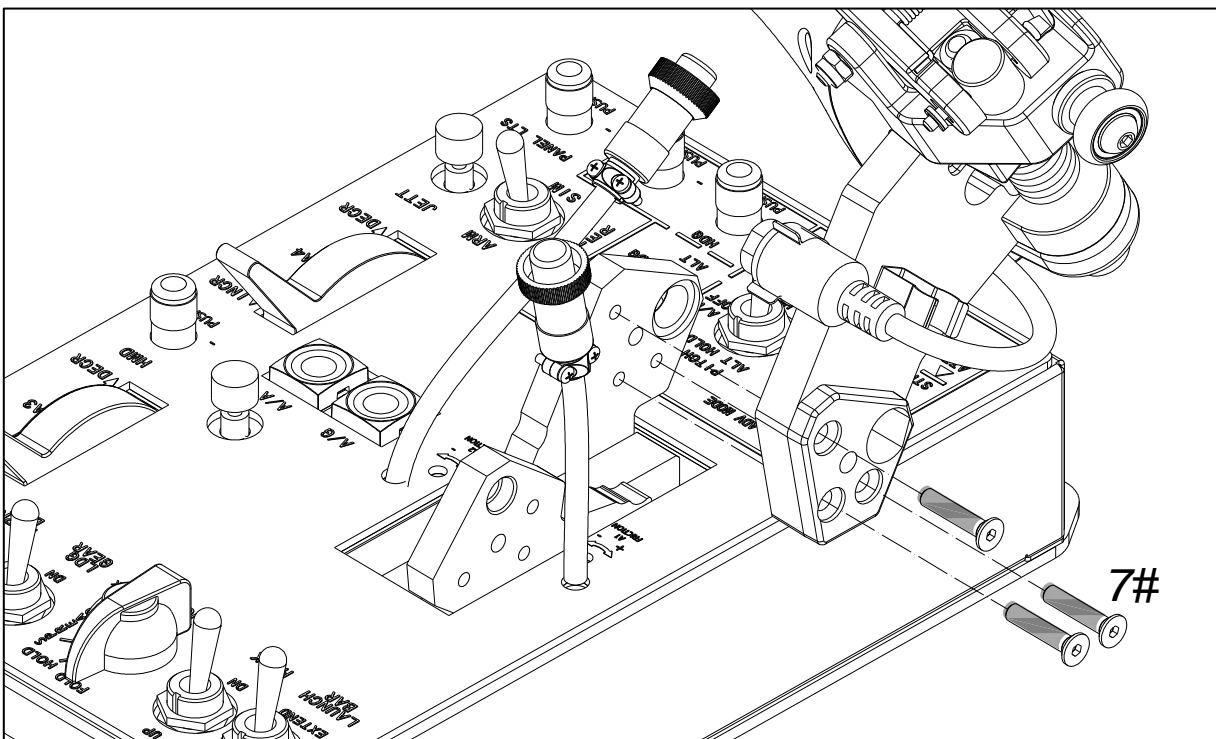
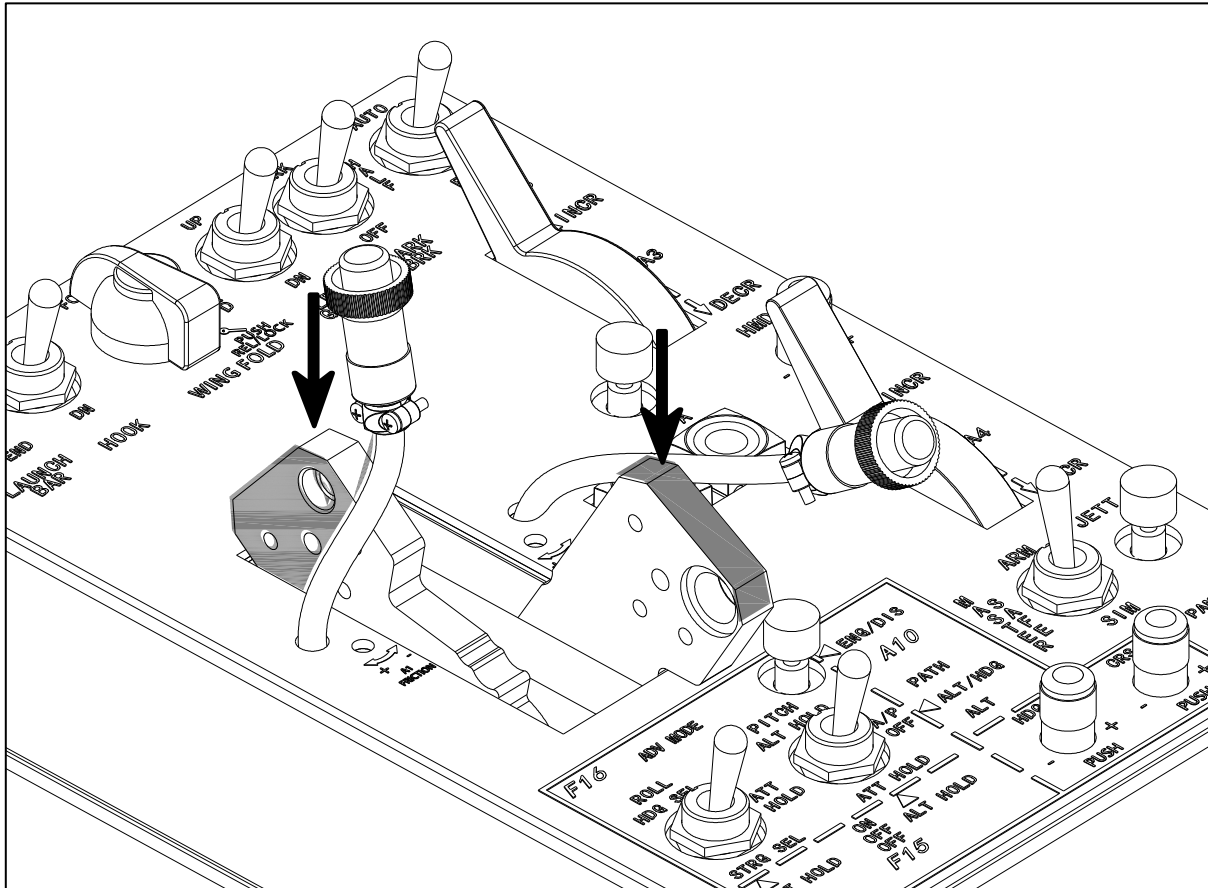


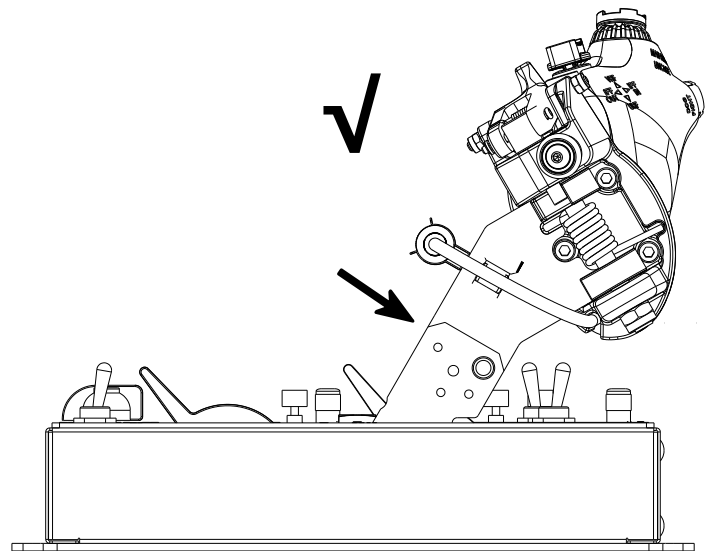
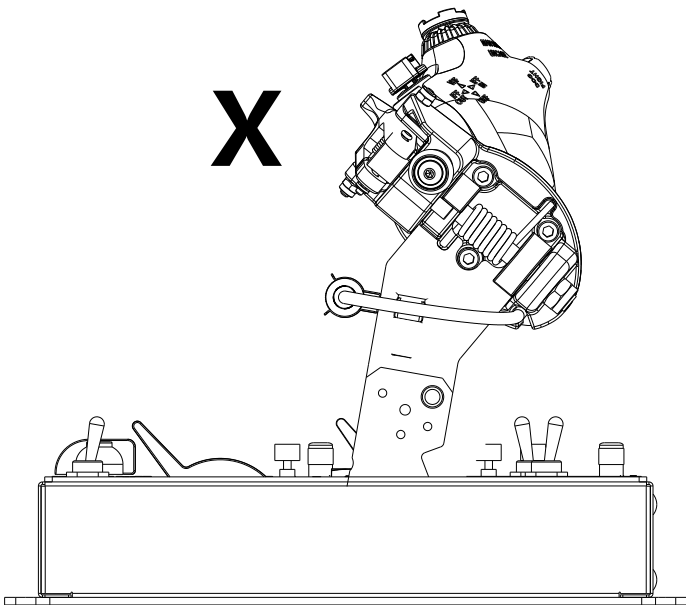
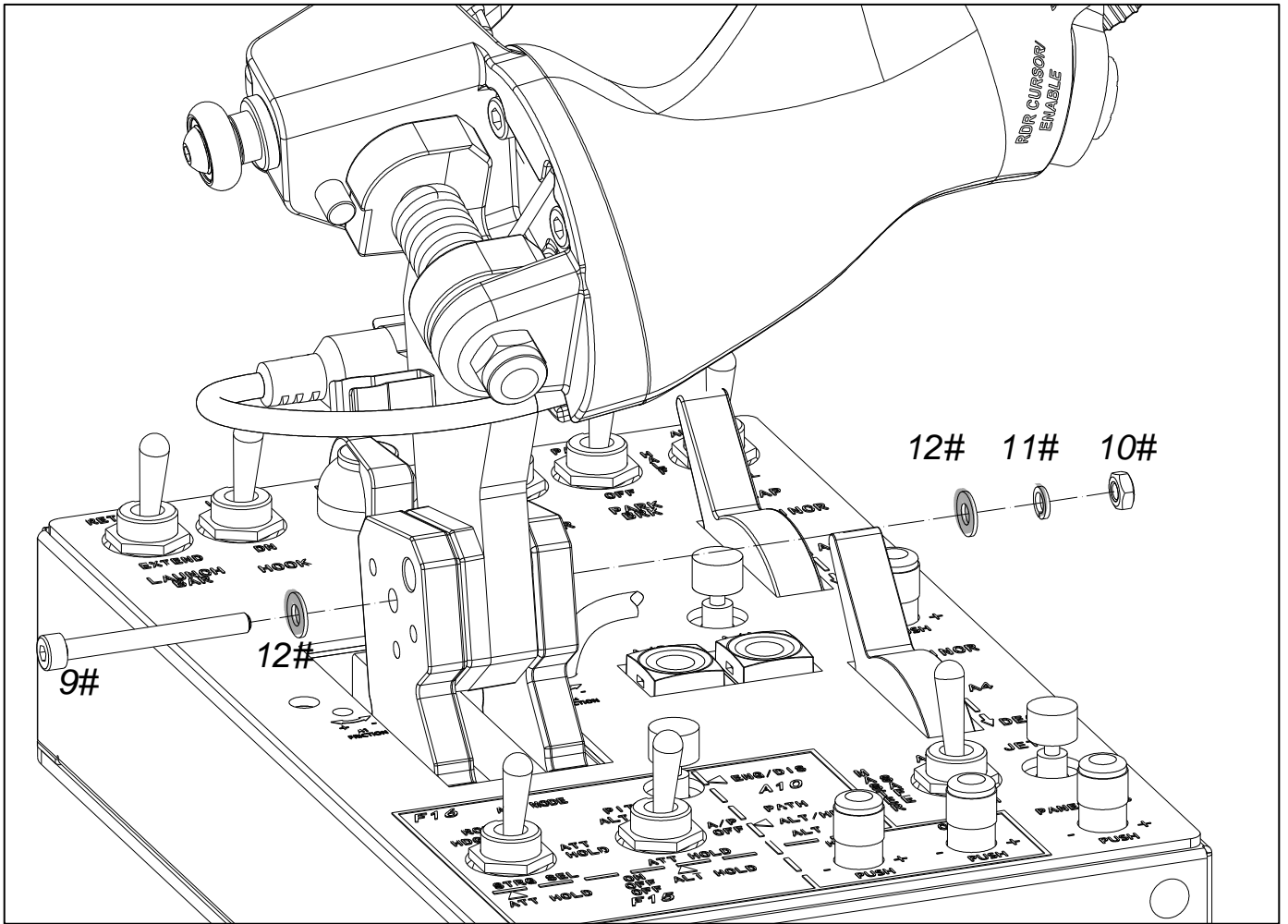
4 Parts connection

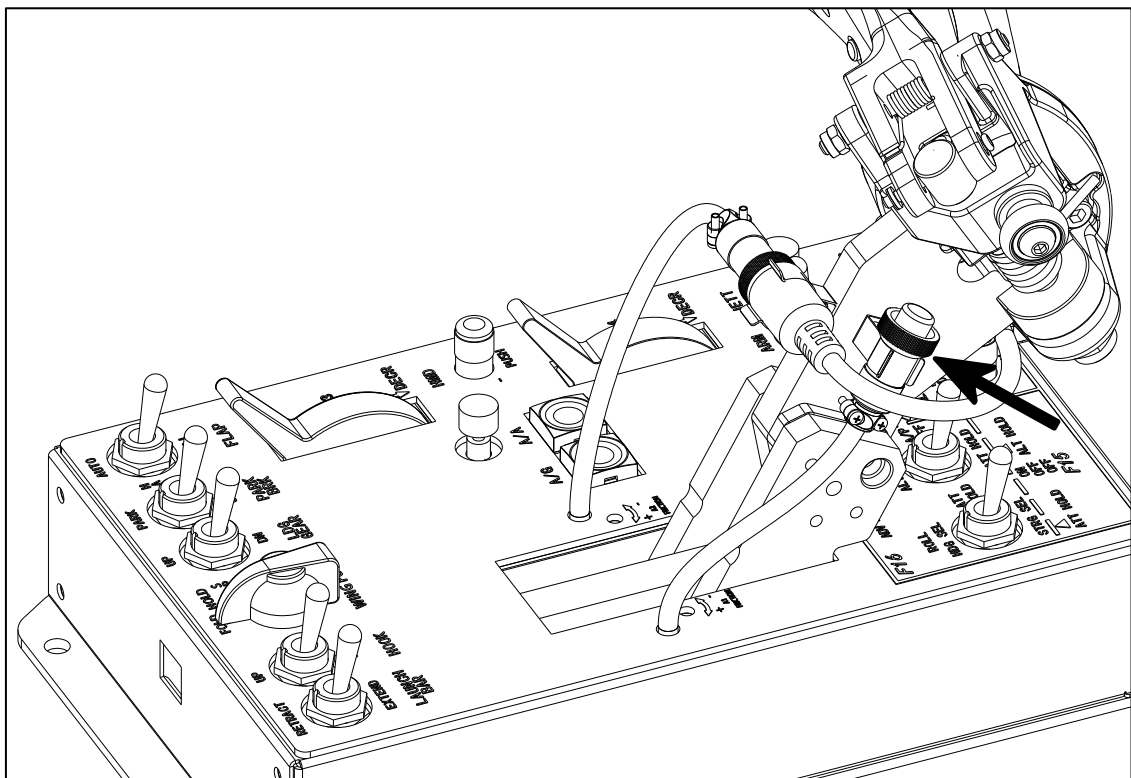
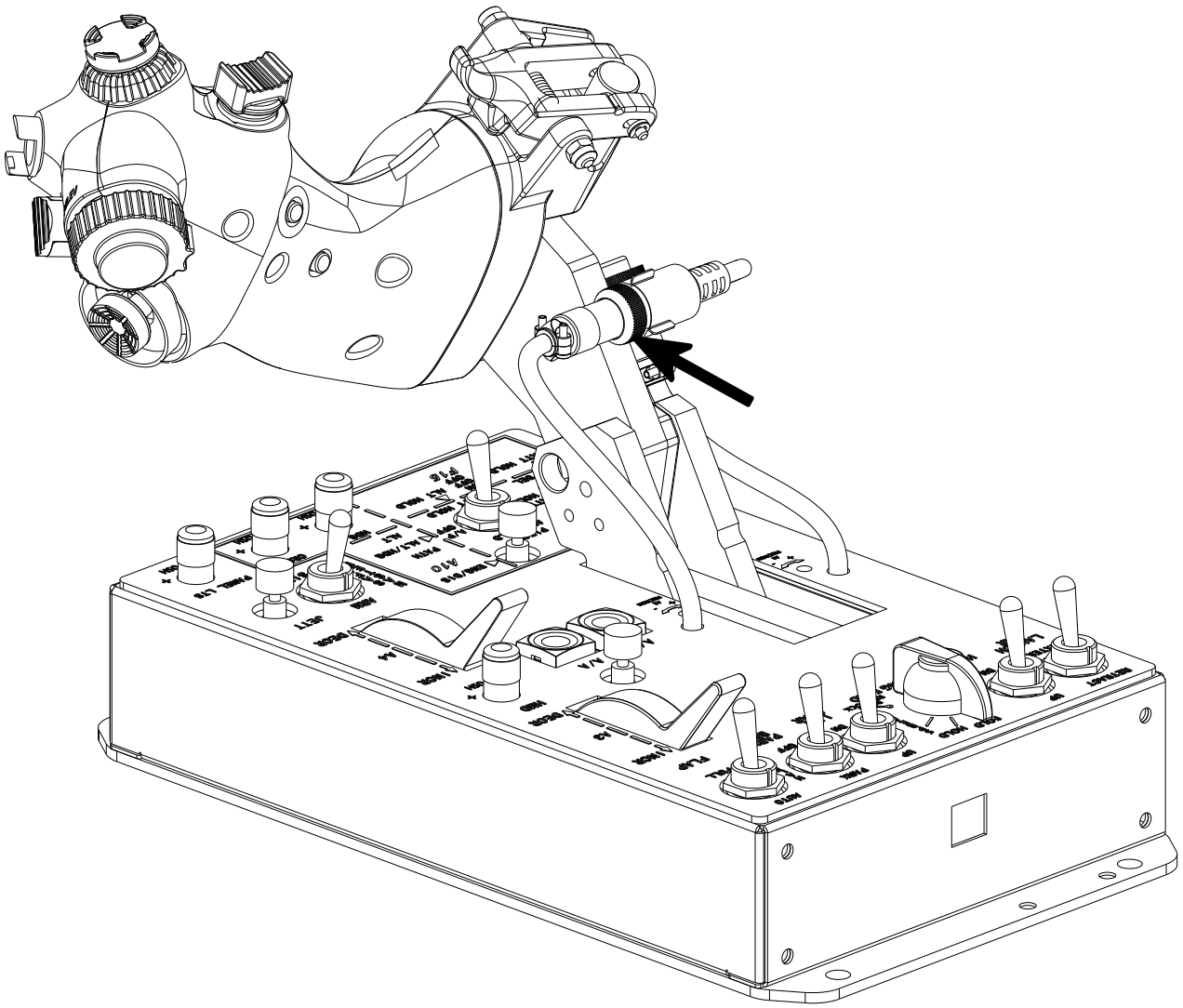
/

5 Connection with base

5.1 Throttle grip connection with T2 base

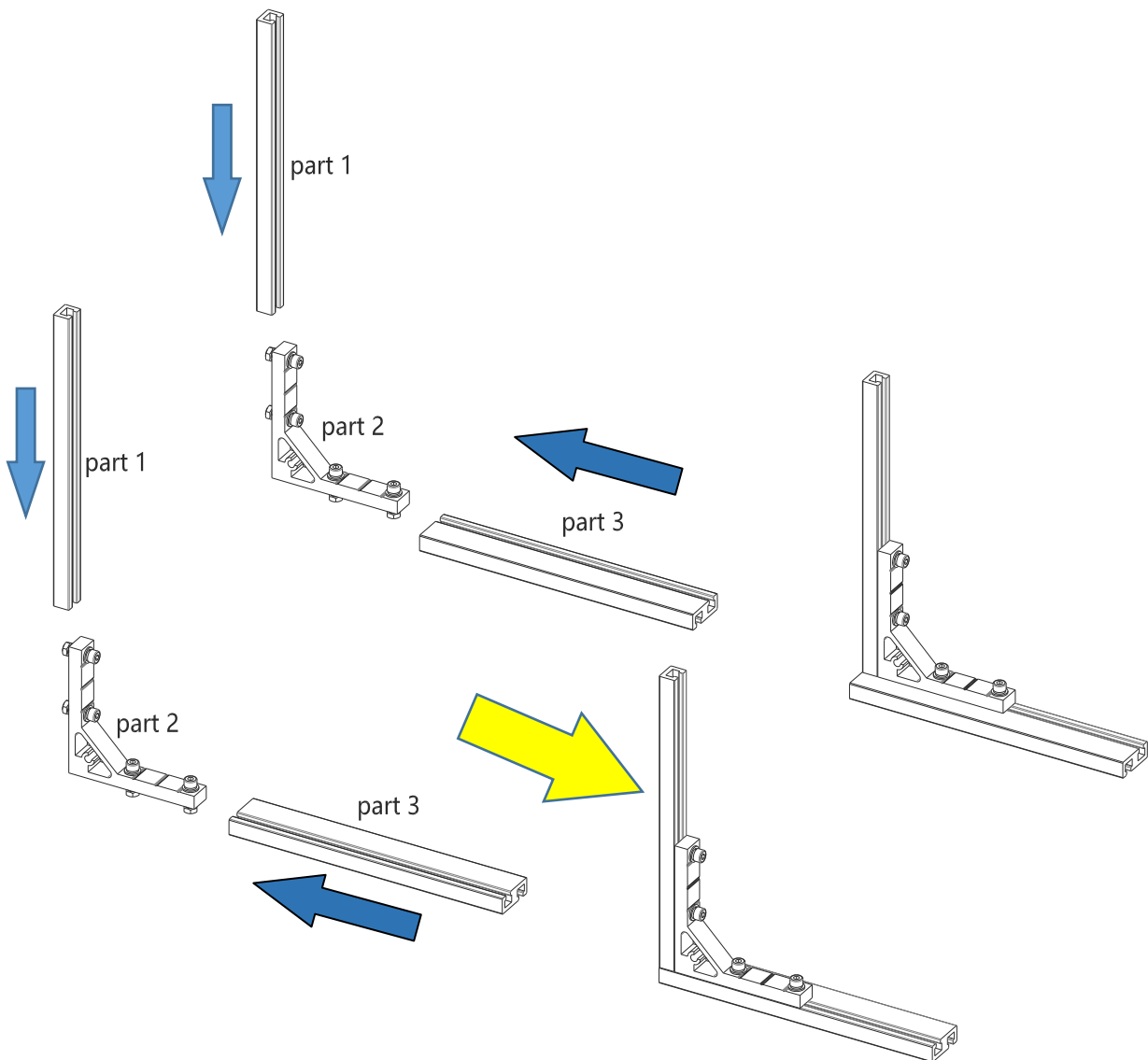


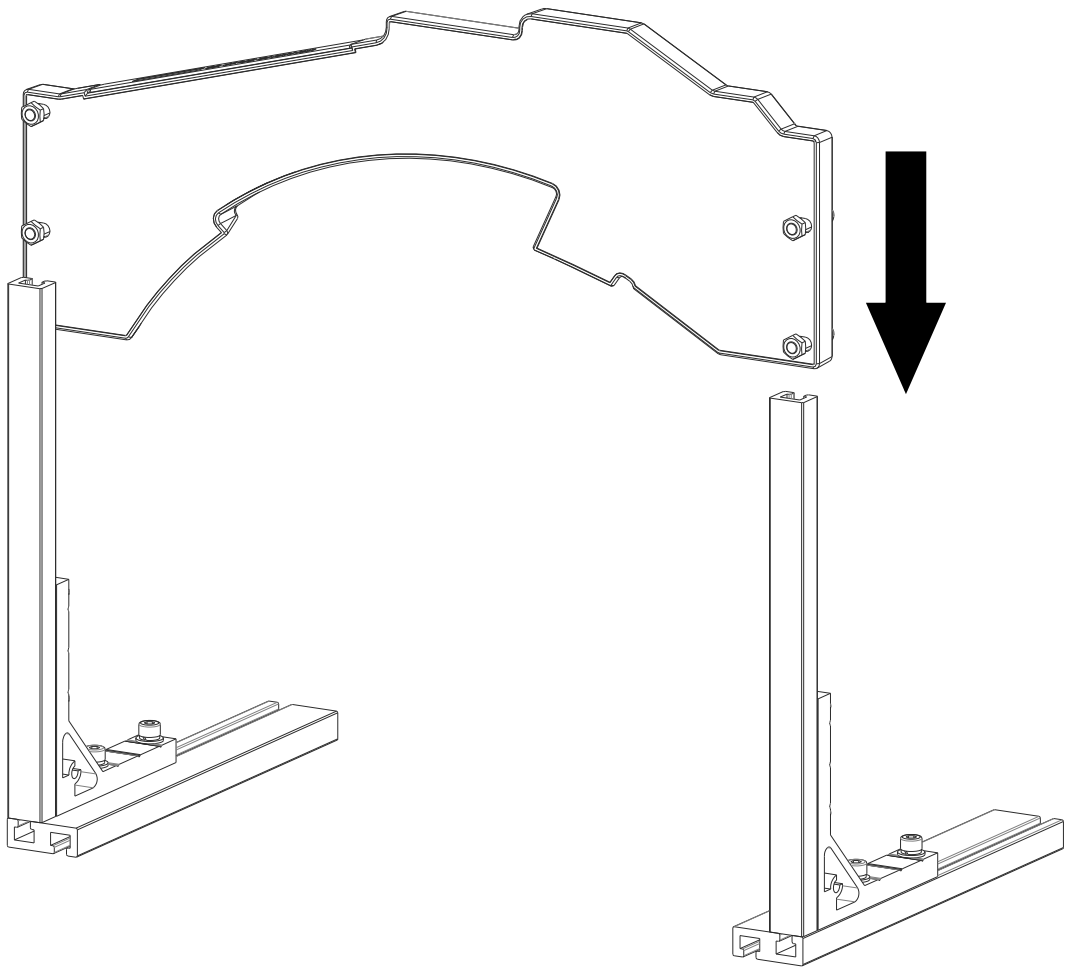
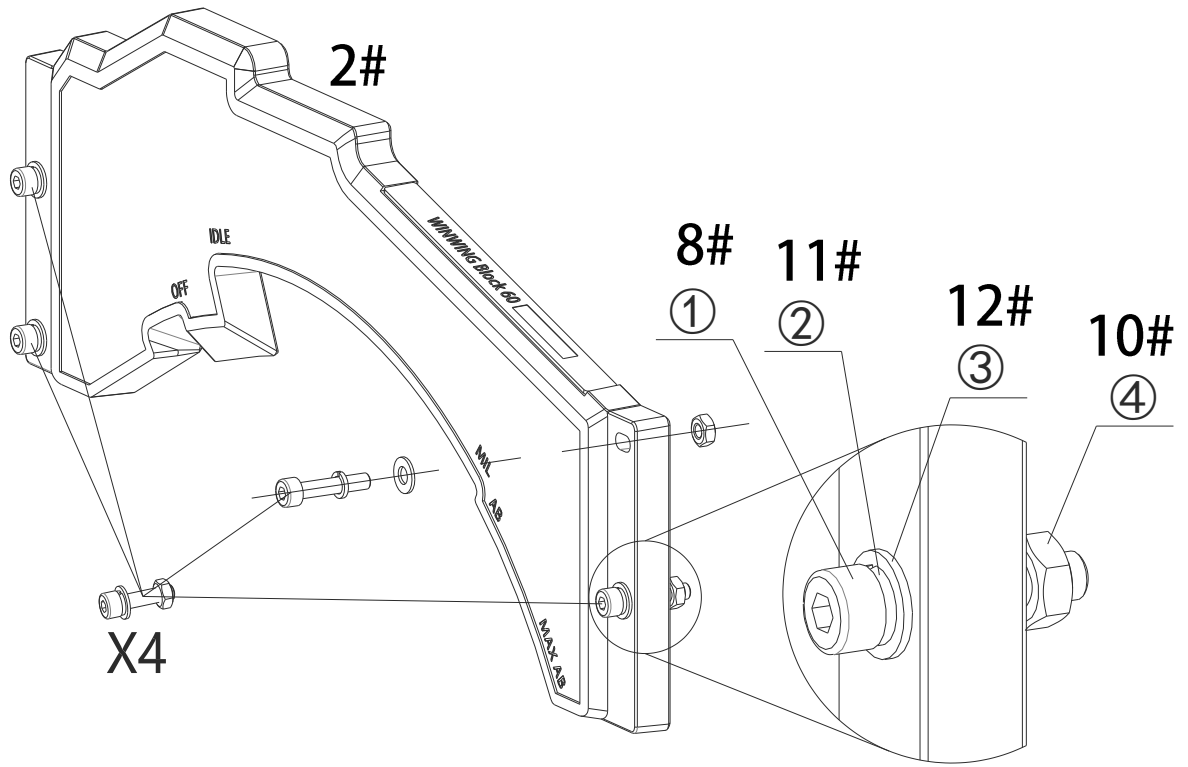


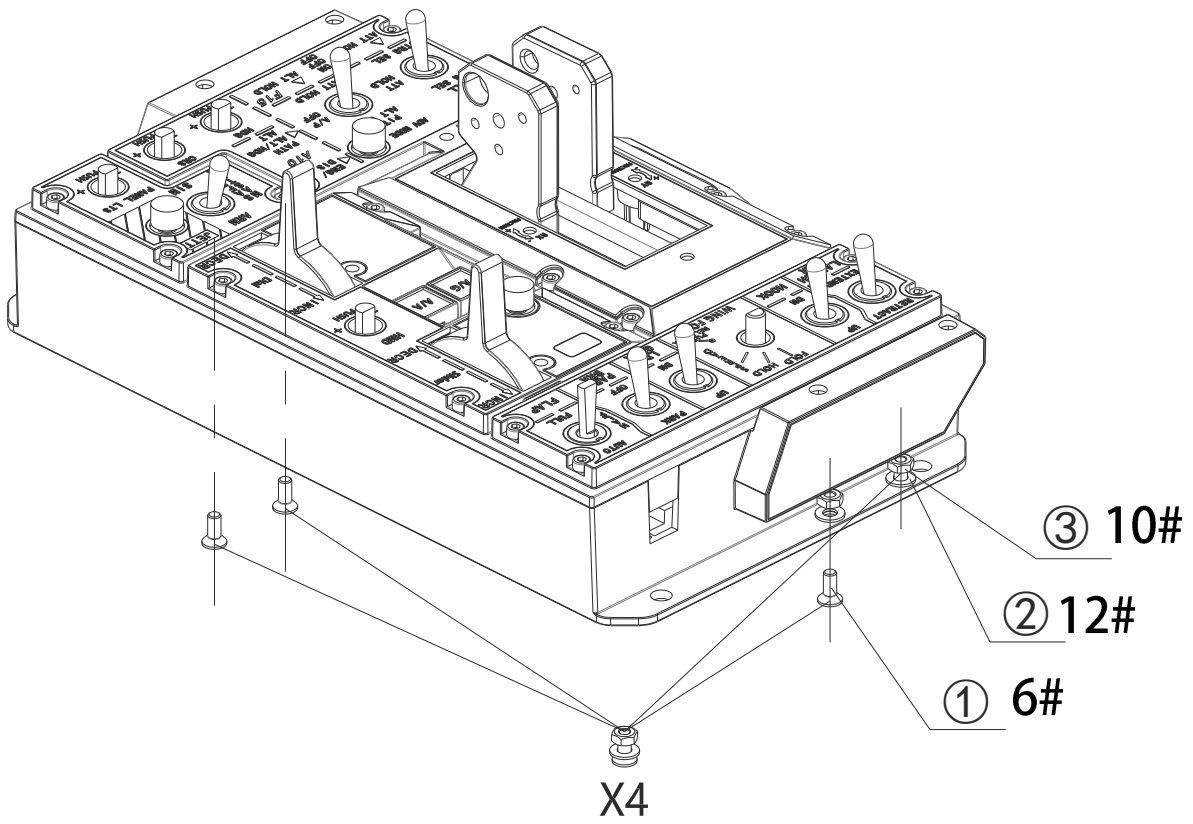
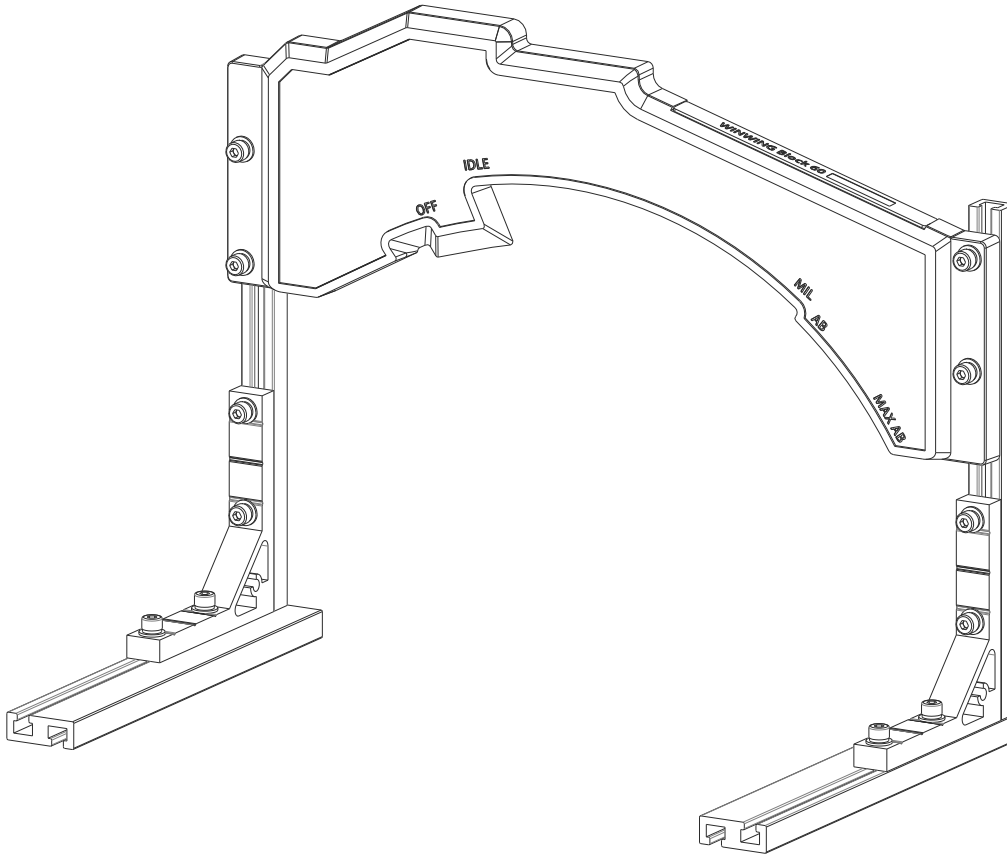


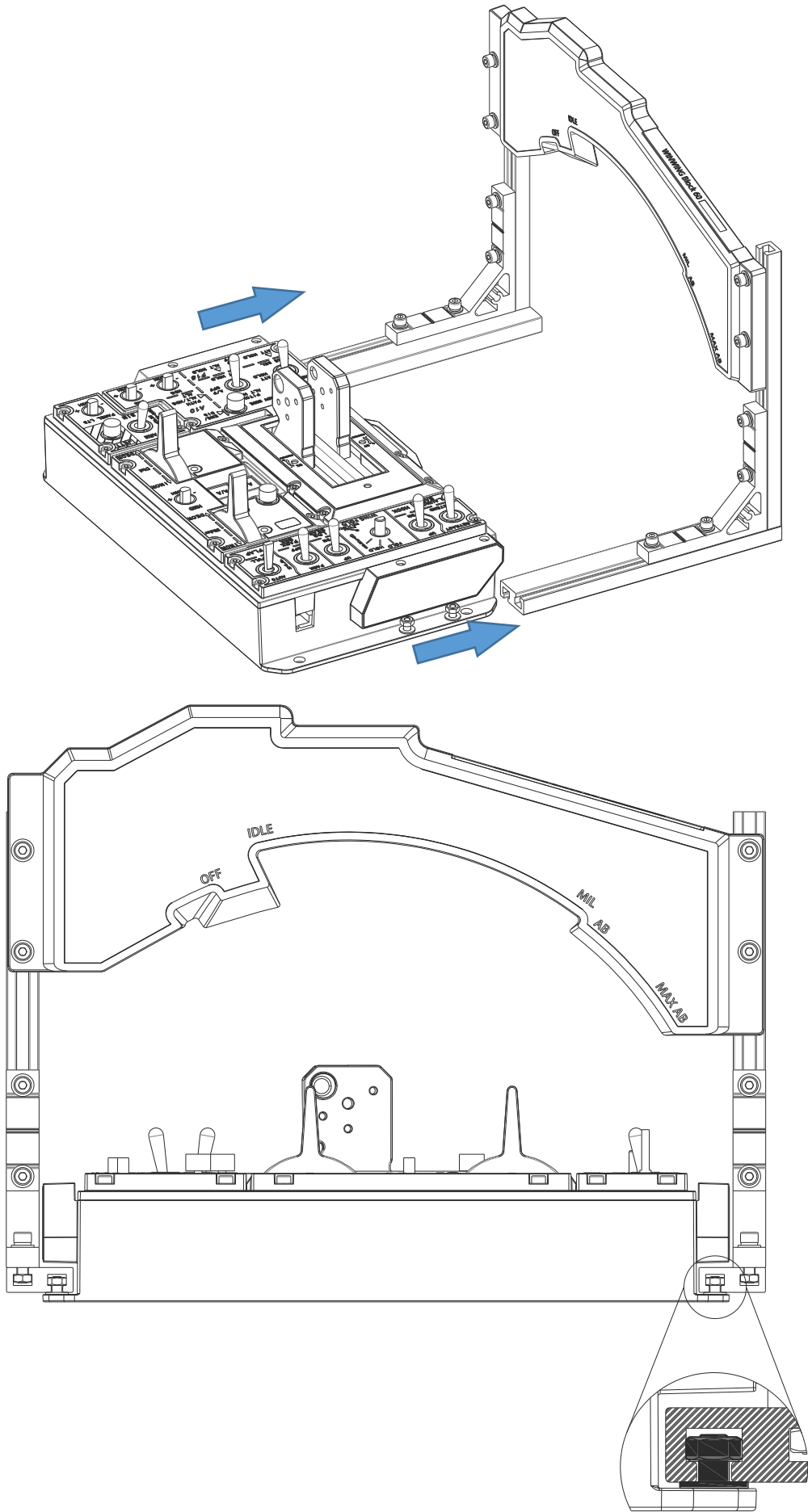
- ① Split the throttle, Left handle to full AB, right handle to cutoff;
- ② Use 3 screw to pin the throttle grip to RIGHT SIDE of the handle;
- ③ Align the left and right handle, pin them together;
- ④ Split the throttle, Left handle and right handle to cutoff, Pull the connection wire from right side of T2, connect the wire into grip;
- ⑤ Split the throttle, Left handle and right handle to cutoff, Put the wire on the left side into clip.

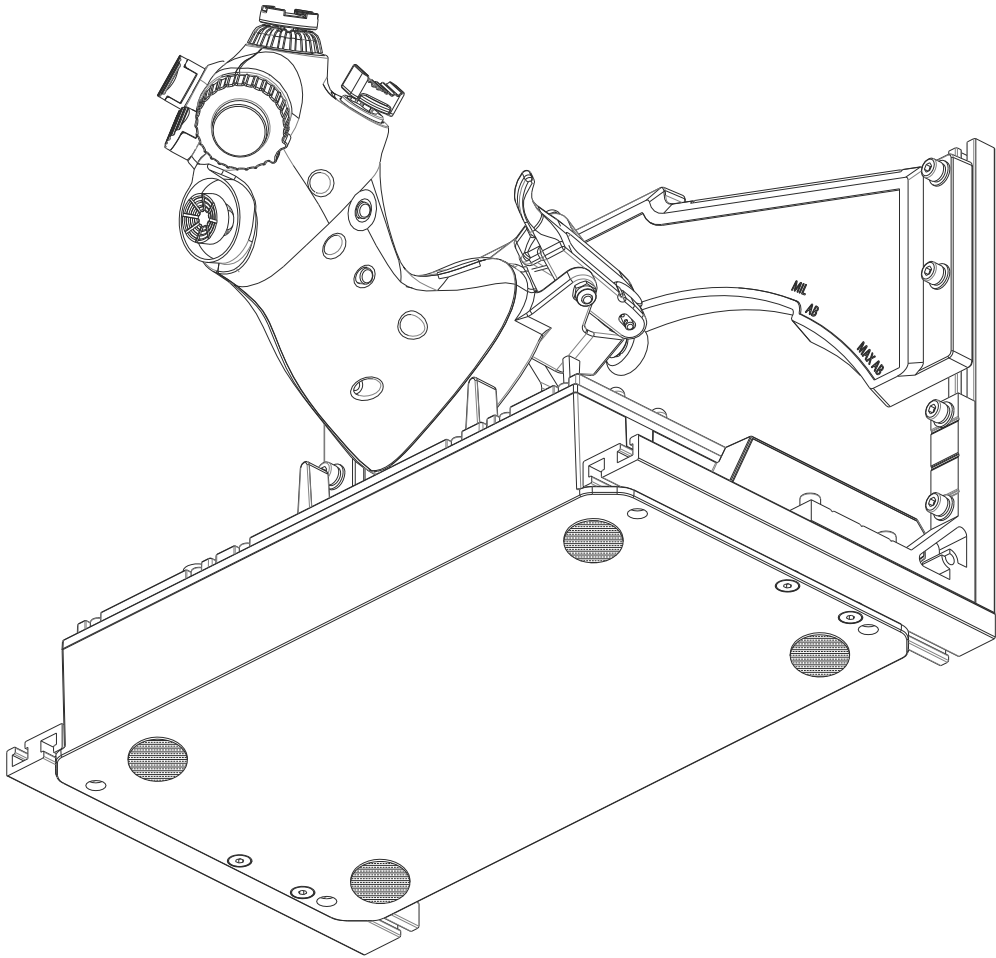
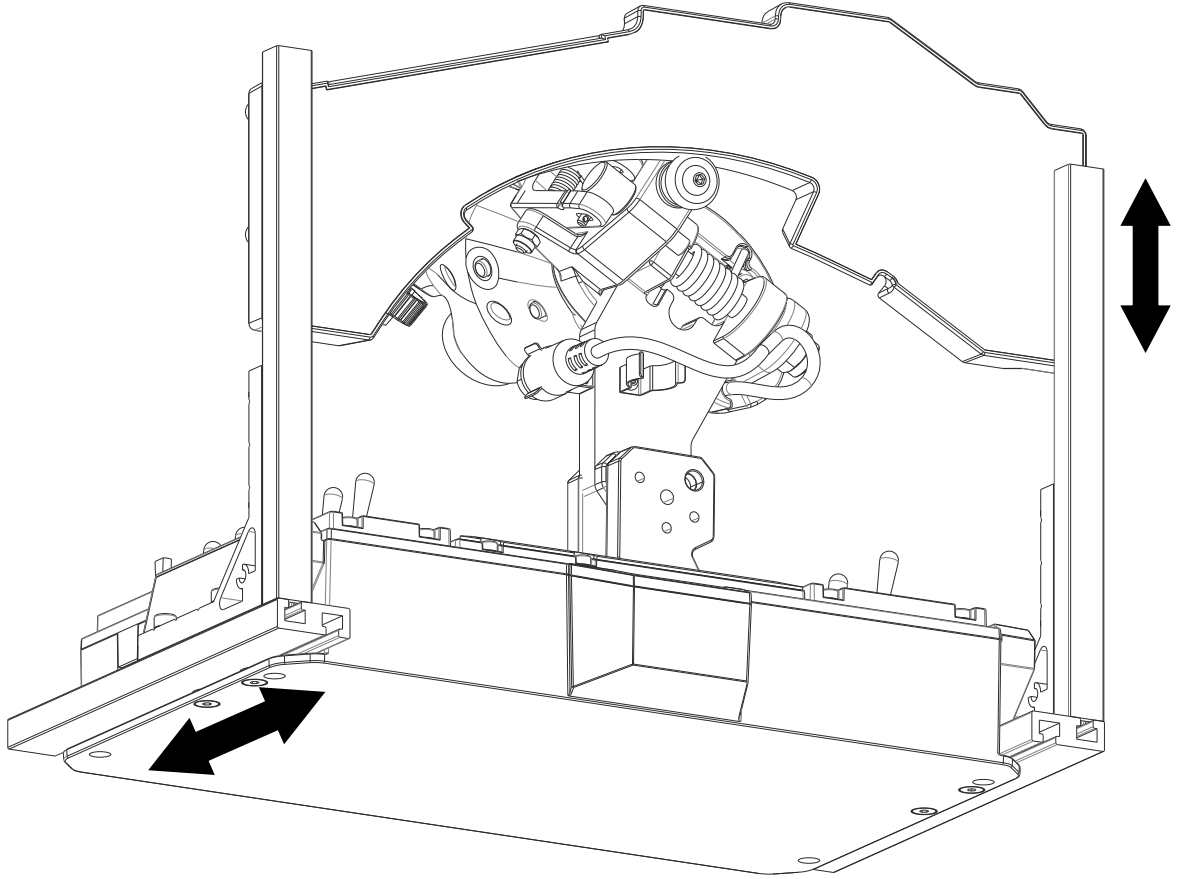
5.2 Slide Rail connection with T2 base and adjustment







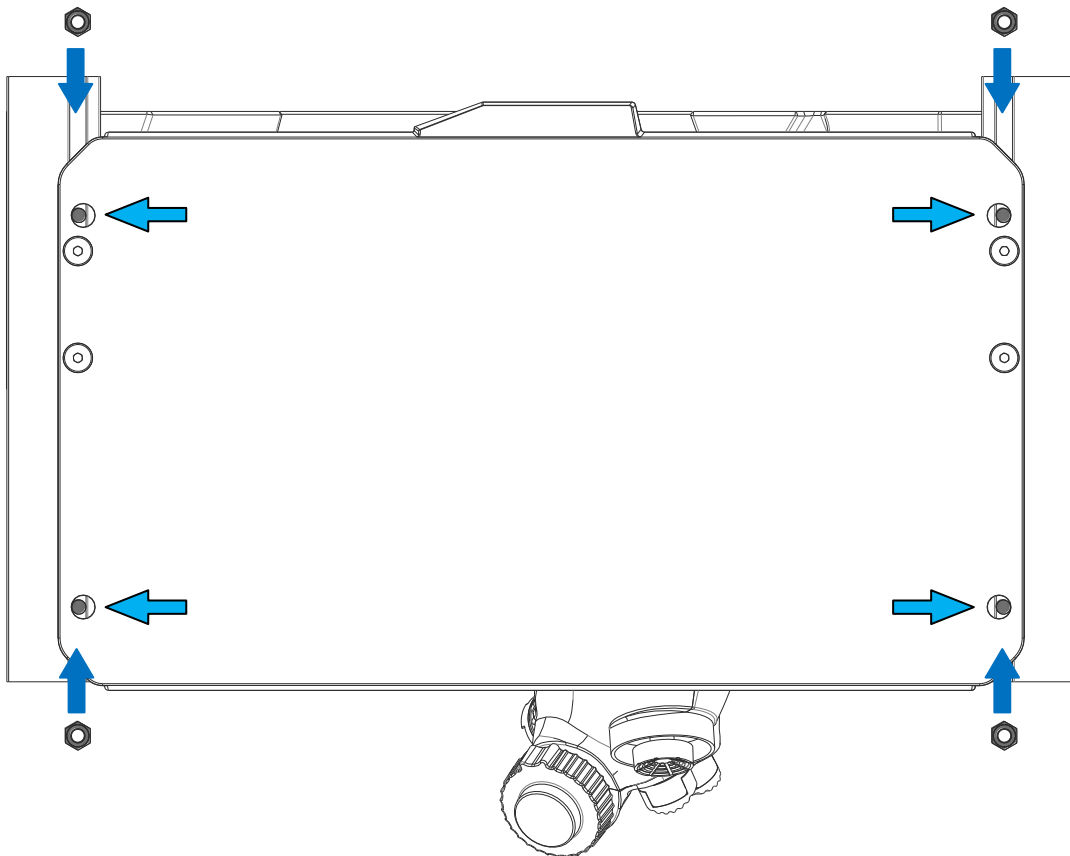
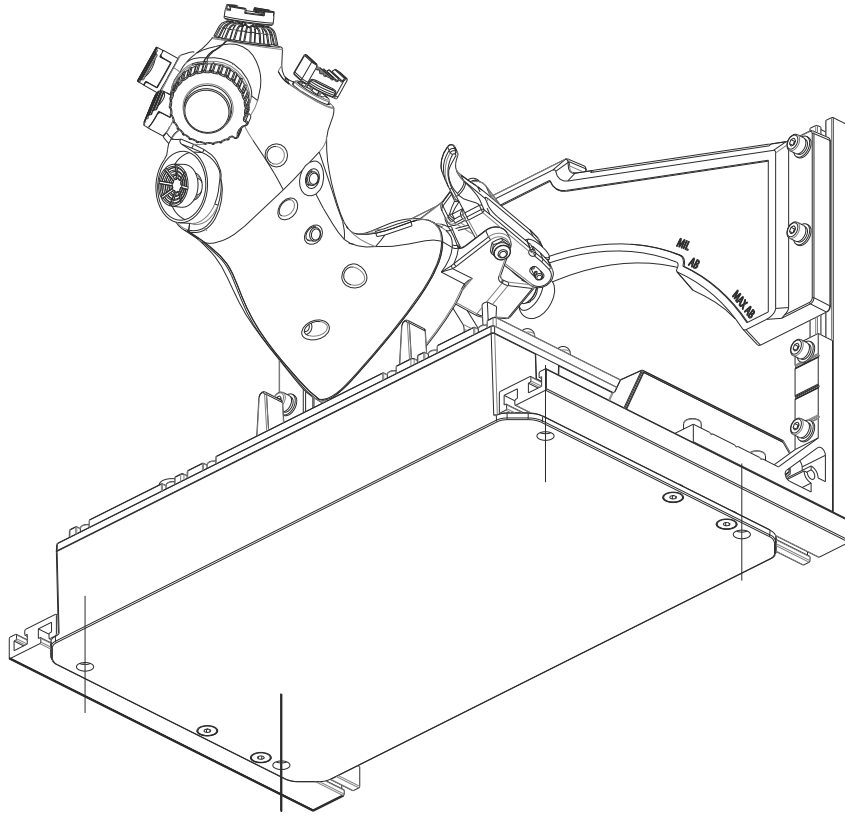


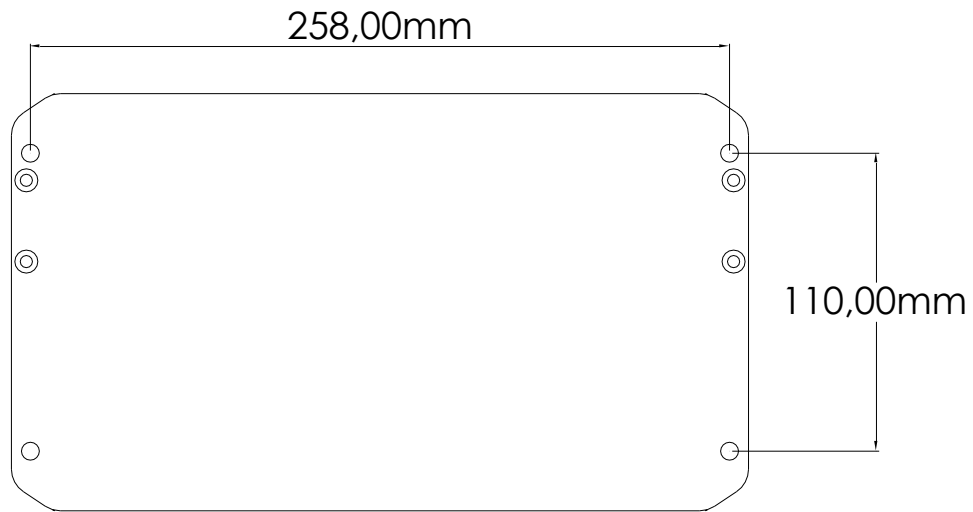


- ① Slide part 1 and part 3 into part 2(along the two nuts on part 2) to the position shown in the right picture, then use 3mm Allen wrench to tighten it. Caution! Pay attention to the position and direction of part 3, maintain symmetry;
- ② Follow this picture to install the 4 sets of screws into the Slider board;
- ③ Follow this picture to slide the 4 M4 nuts on the slider board into the groove.Caution! The position and direction should keep in accordance with what' s shown in this picture. Slide to this position(shown in this picture), then use 3mm Allen wrench to twist the screws slowly, but DON' T TIGHTEN UP. (Still need more adjustment);
- ④ Follow this picture to install these 4 sets of screws into T2-BASEII. Follow the picture to slide the 4 nuts on T2-BASE II into the groove. Slide to this position(shown in this picture), then use 2.5mm Allen wrench to twist the screws slowly, but DON' T TIGHTEN UP. (Still need more adjustment);
- ⑤ Adjust the slide rail position against the roller on the throttle grip, then tighten up all screws;
- ⑥ Attached the stick pad on the bottom of the throttle base.

5.3 Additional assembly method

Use the 4 screw hole on T2- II base. (No screws are offered)



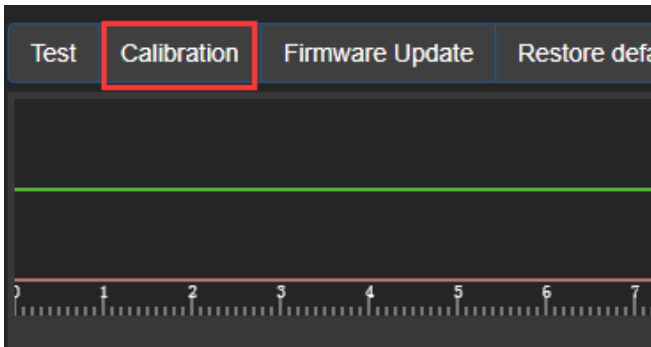


- ① Install 4 M4 nuts into the slider groove then install 4 screws from the bottom (No screws are offered);
- ② We recommend you to punch strip holes on installation board, which is more convenient for adjustment.

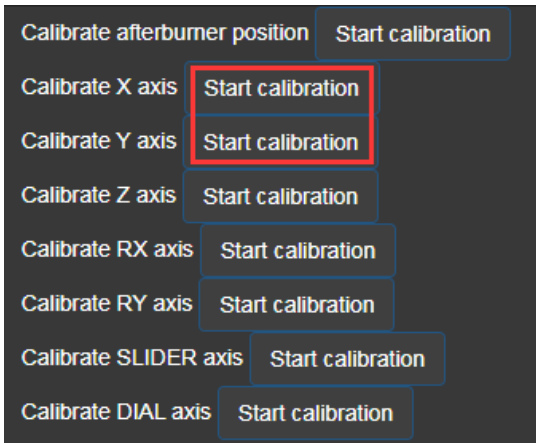
6 Calibration

6.1 Mini-joystick calibration

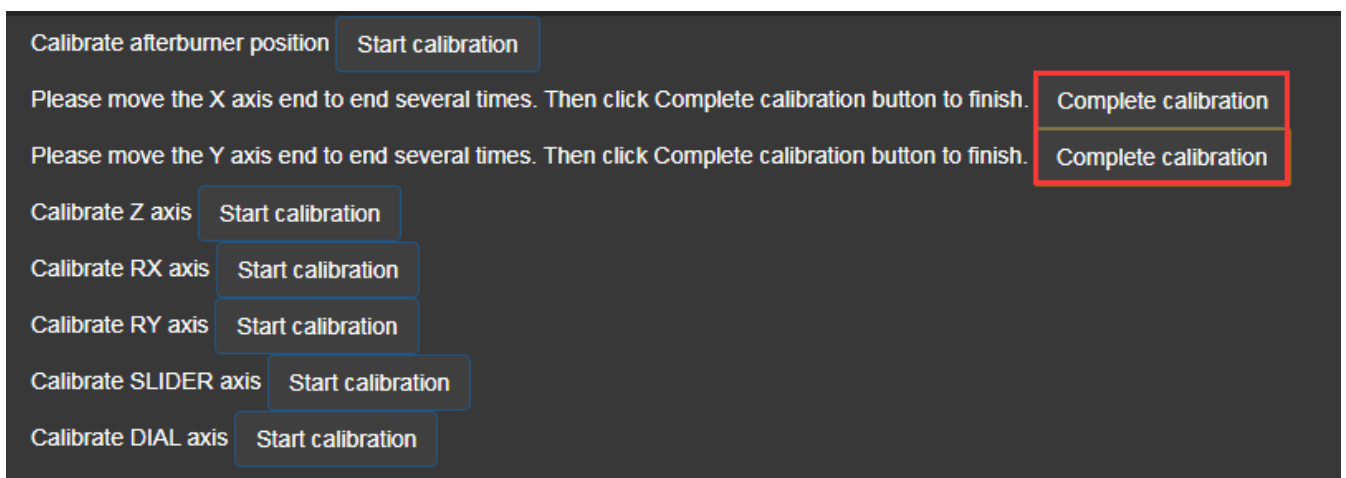
- ① Start sim App pro. Enter the Test page. Click calibration;



- ② In the calibration page, click the options in red square, move the mini-joystick full range;



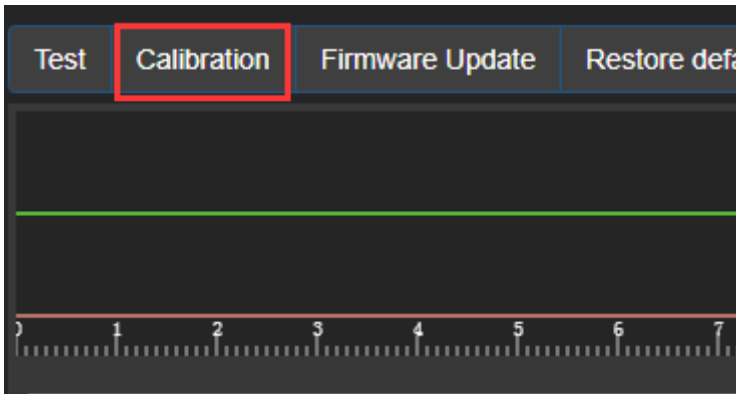
- ③ After the full range movement. Click the options as shown;



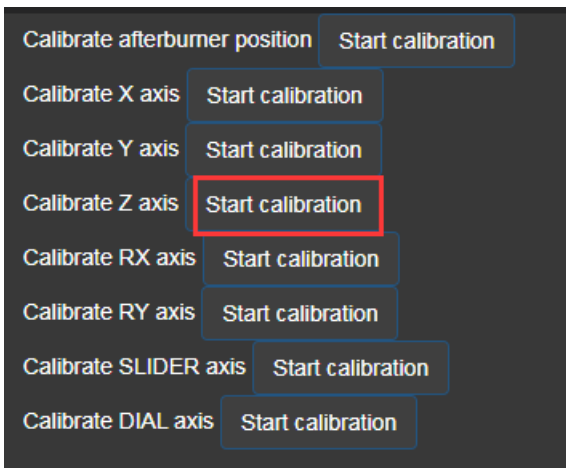
- ④ You have completed the calibration. return to the test page to observe the correct response.

6.2 Z Axis Calibration

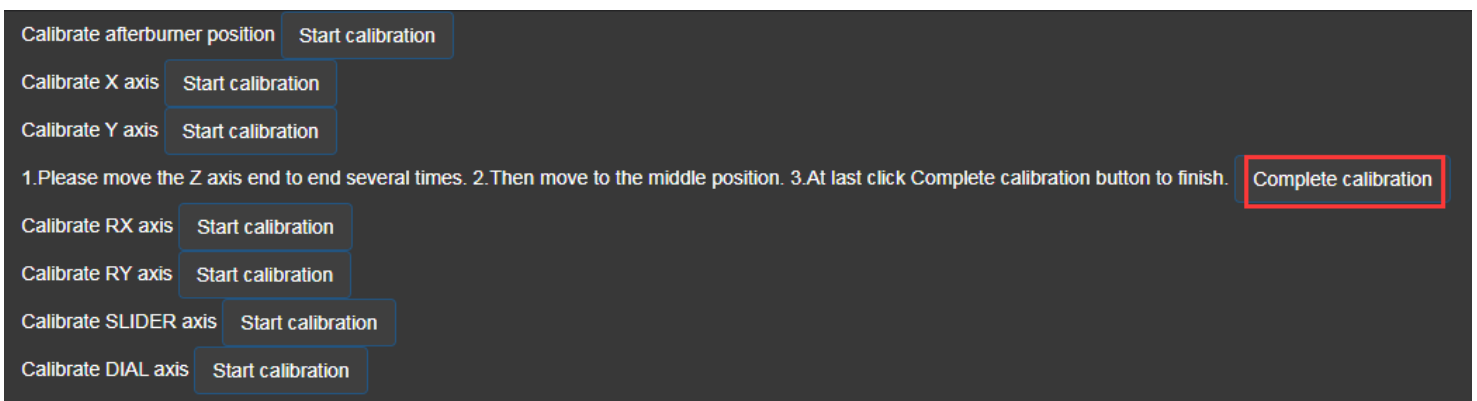
- ① Start sim App pro. Enter the Test page. Click calibration;



- ② At the test page. Click the following button for calibration. Move Z axis full range for calibration;



- ③ After the full range movement. Move Z axis to the middle position, Click the following options;



- ④ Return to the Test page, check if the calibration is correct.

* This is the final version of the manual,all update will be made online.

成都翼胜科技有限责任公司

WWW.WINWING.CN

INFO@WINWING.CN

High-tech International Enterprise Zone No.19 Building,Changshengqiao Road

1111#, Piddu District, Chengdu,China 610000